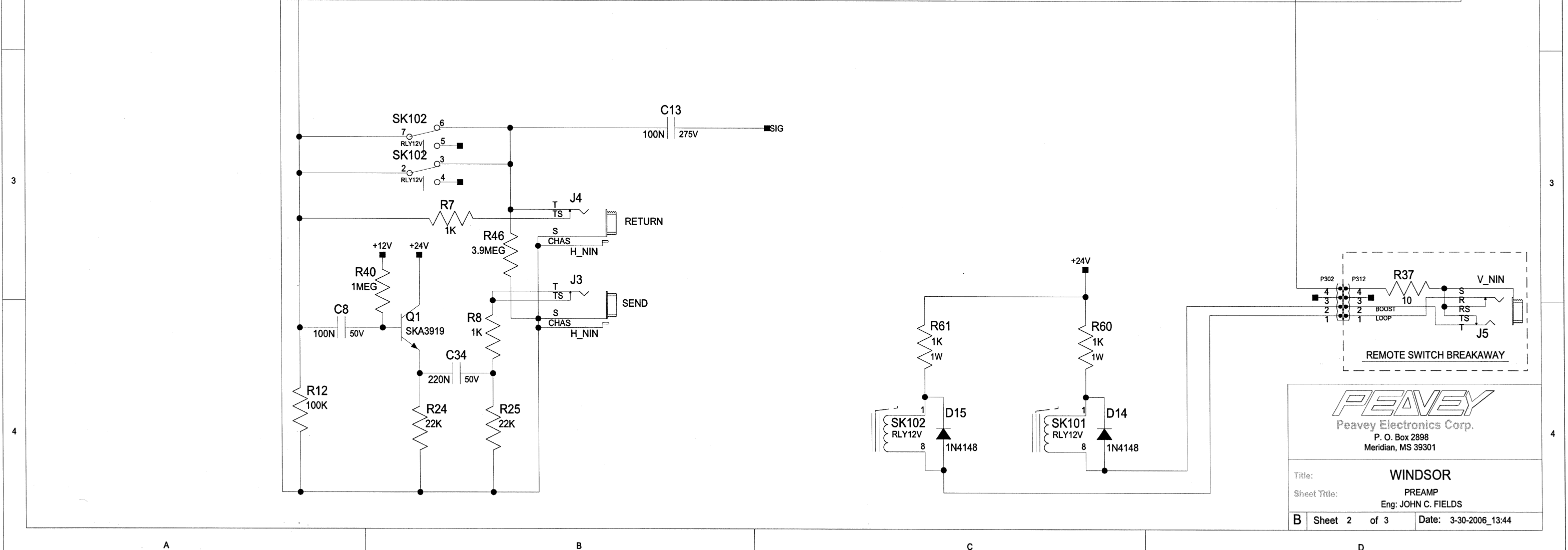
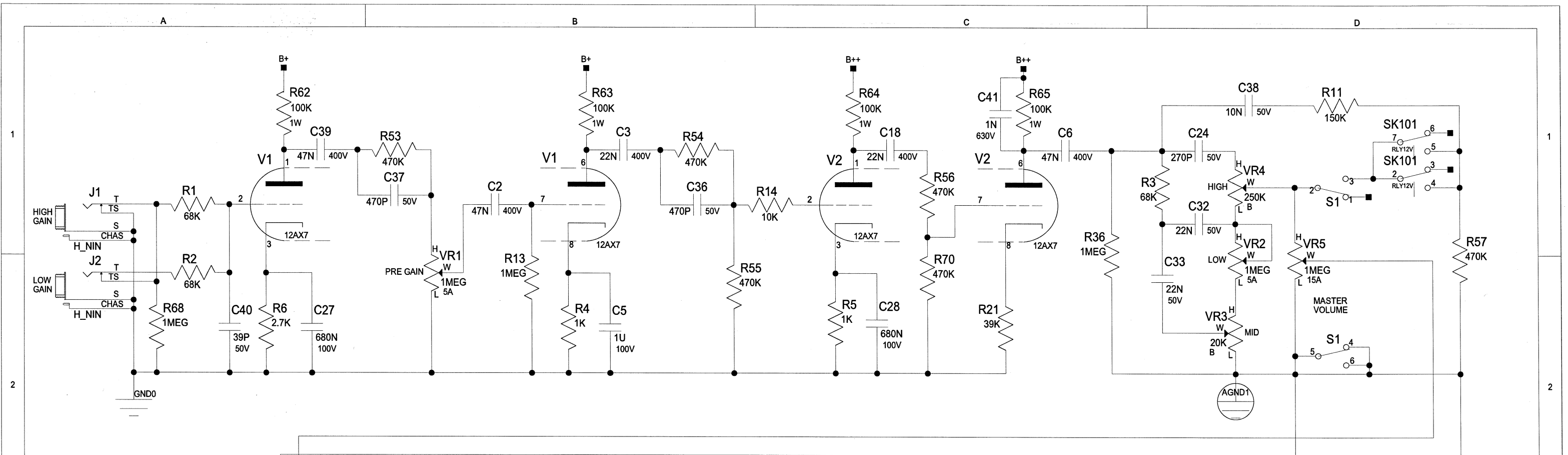


**PEAVEY**  
Peavey Electronics Corp.  
P. O. Box 2898  
Meridian, MS 39301

Title: **WINDSOR**  
Sheet Title: **POWER AMP**  
Eng: JOHN C. FIELDS

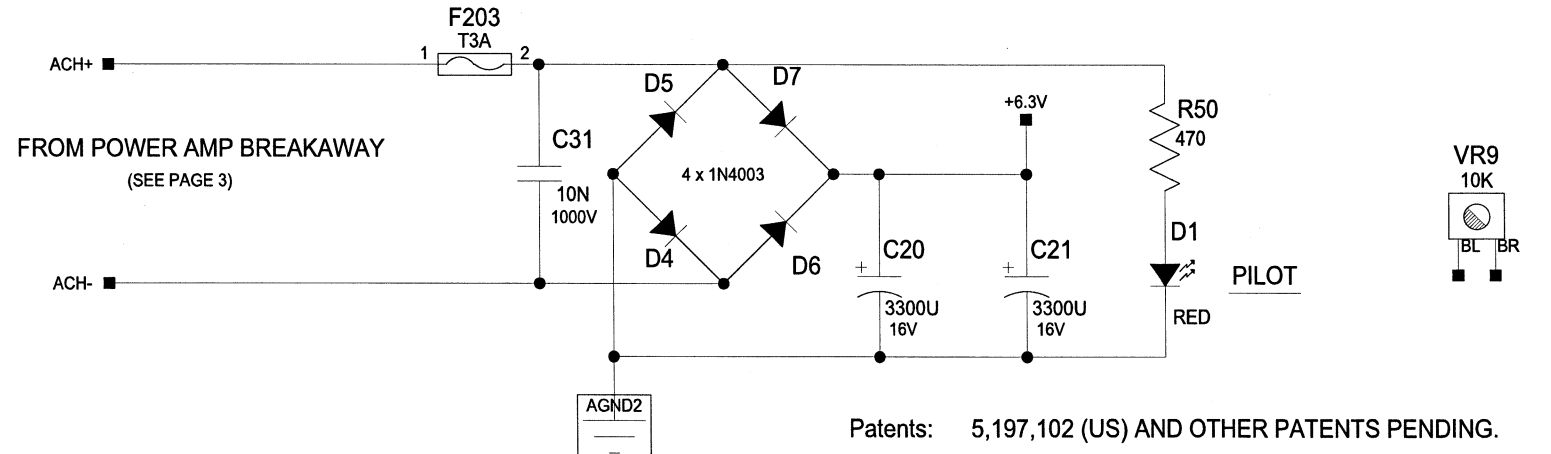
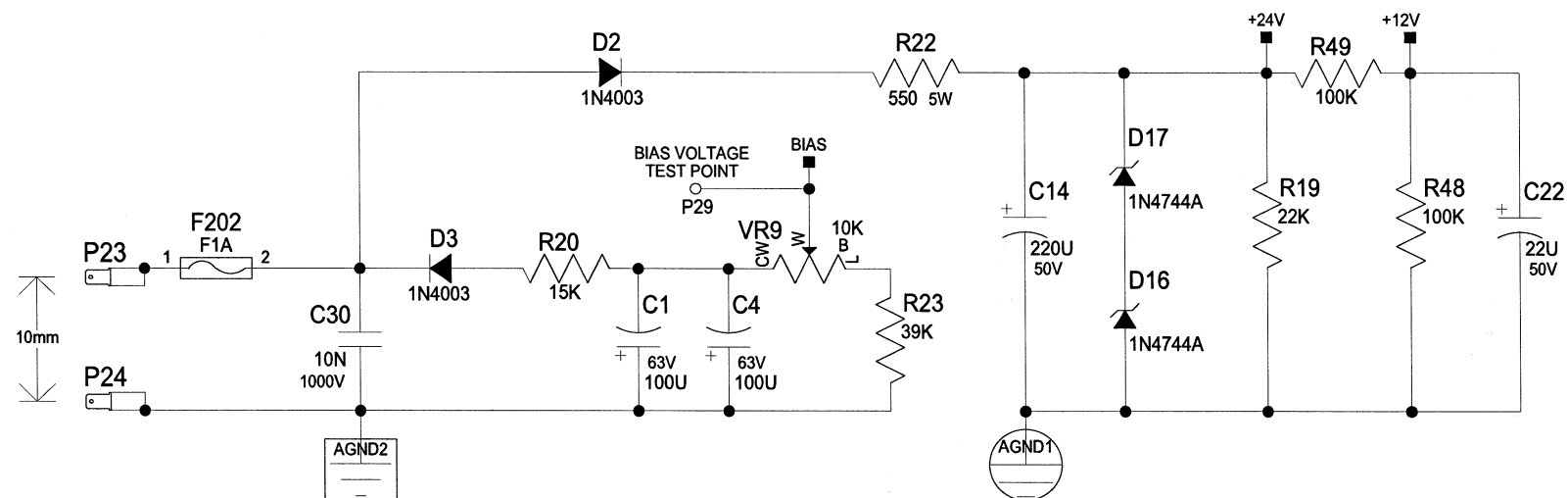
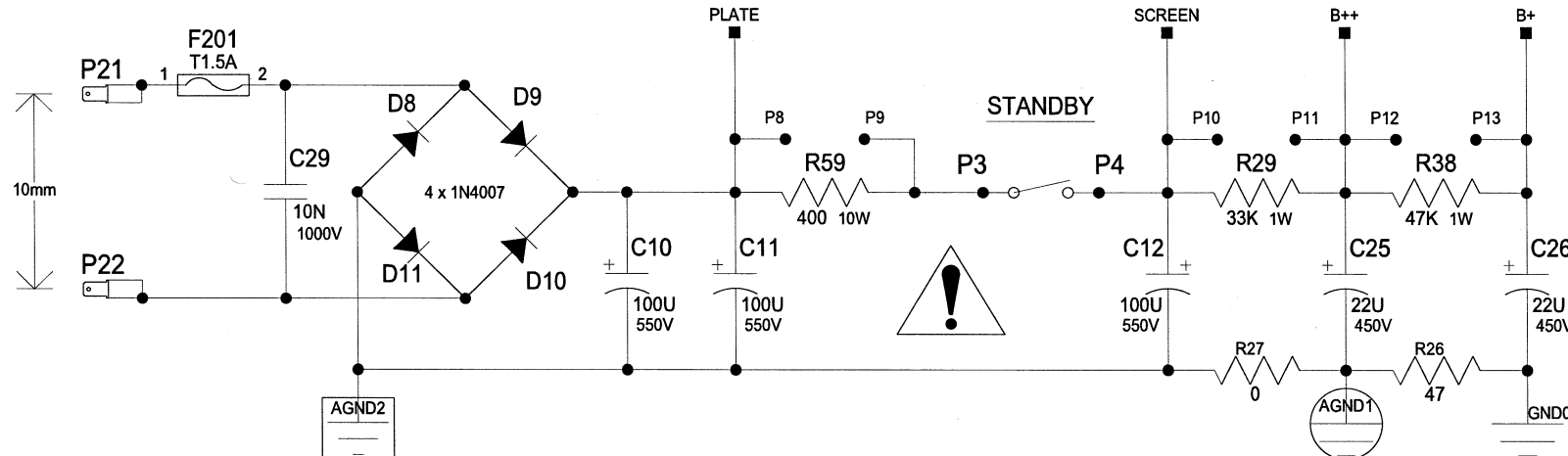
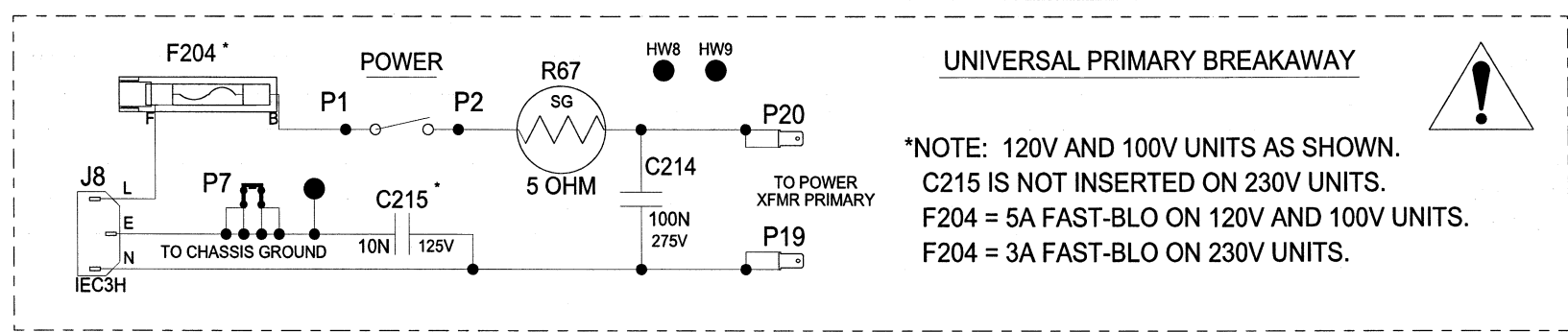
B Sheet 3 of 3 Date: 7-18-2006\_17:03



**PEAVEY**  
 Peavey Electronics Corp.  
 P. O. Box 2898  
 Meridian, MS 39301

Title: **WINDSOR**  
 Sheet Title: **PREAMP**  
 Eng: JOHN C. FIELDS

B Sheet 2 of 3 Date: 3-30-2006\_13:44



Note: All thru hole Resistors are 1/4 Watt unless otherwise indicated.  
All SMT 1206 Resistors are 1/4 Watt.  
All SMT 0805 Resistors are 1/10 Watt.  
Note Capacitor Values are indicated as Follows:  
val P = pF (picoFarads) val \* 10 exp-12  
val N = nF (nanoFarads) val \* 10 exp-9 (1N=1000pF, 100N=0.1uF)  
val U = uF (microFarads) val \* 10 exp-6

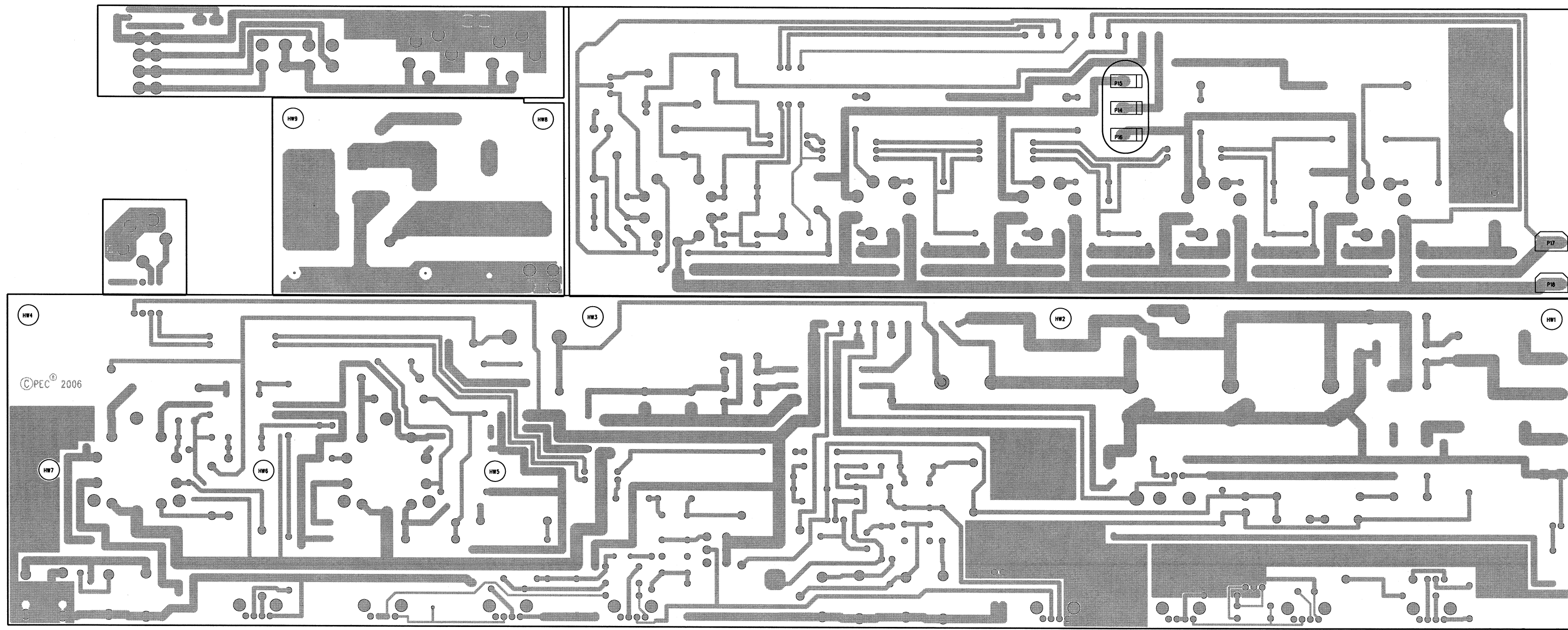
Patents: 5,197,102 (US) AND OTHER PATENTS PENDING.

Copyright Peavey Electronics Corporation 2005.

\*Company Proprietary Information\*



|                   |                        |
|-------------------|------------------------|
| Product:          | WINDSOR                |
| Title:            | COVER / POWER SUPPLY   |
| Project Number:   | P0500123               |
| Eng: J. C. FIELDS | Release Date:          |
| B Sheet 1 of 3    | Saved: 3-30-2006_14:33 |



HW4

© PEC 2006

HW7

HW6

HW5

HW3

HW2

HW1

HW8

HW9

P15

P14

P16

P17

P18

