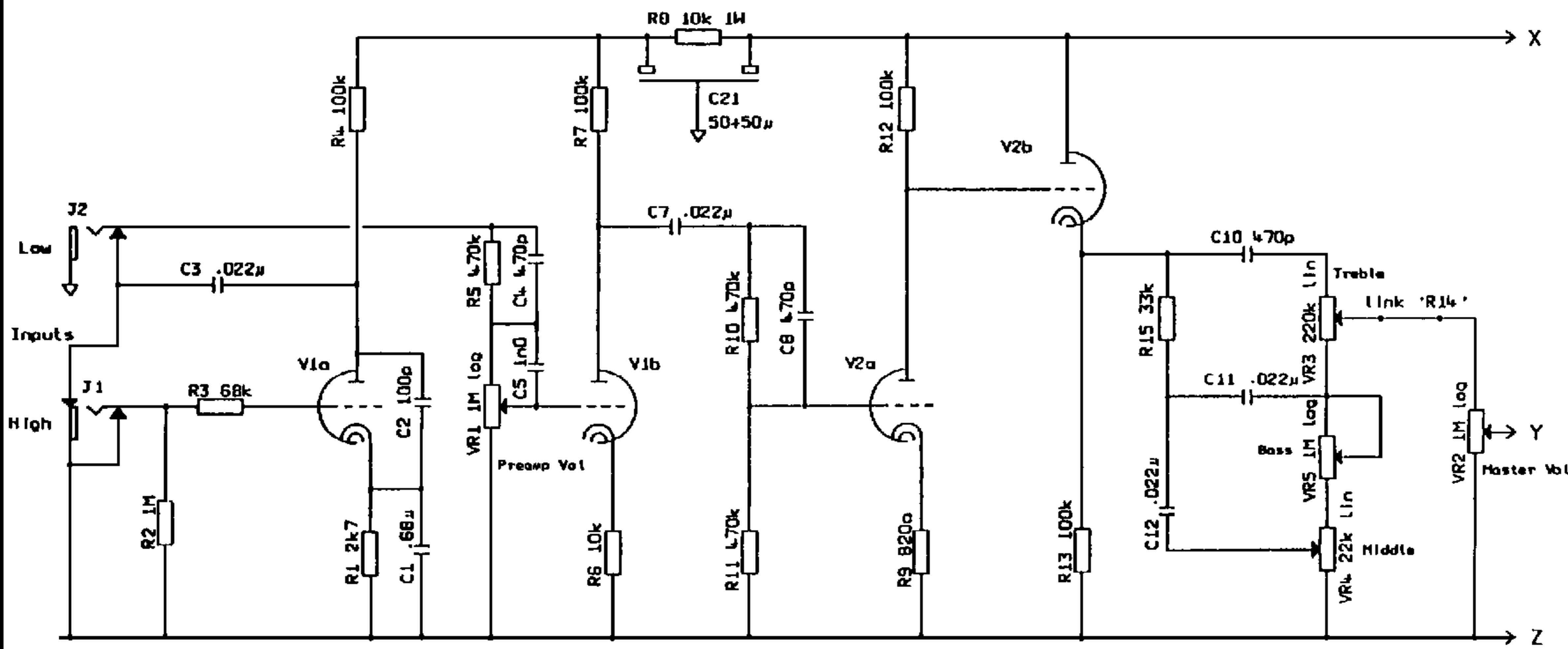


NOTES

PCB: JM80

V1.2: ECC83, filament supply shown on power stage diagram.

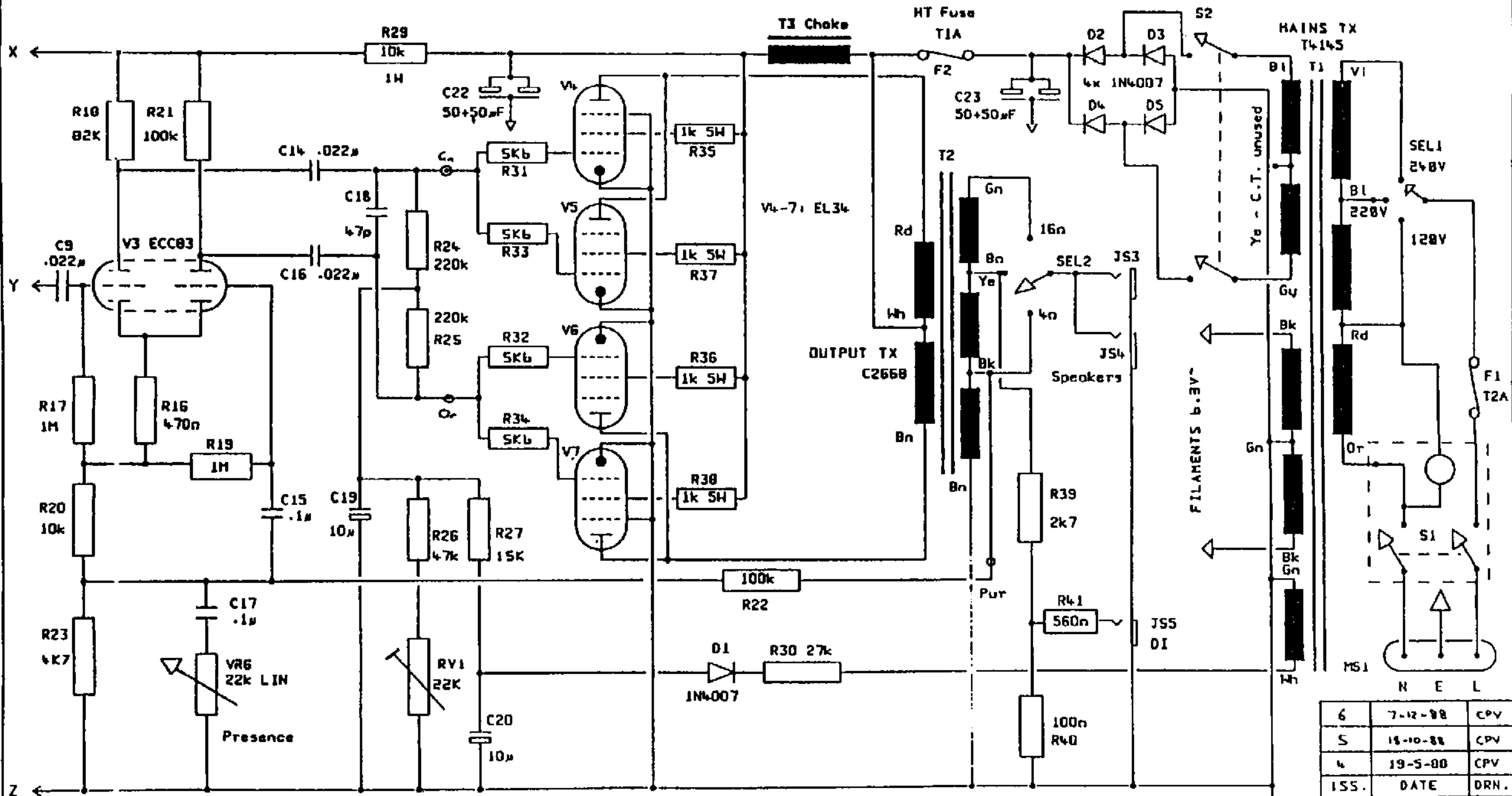


4	19-5-88	CPV
ISS. DATE		DRN.

DRAWING NUMBER  
**2203** STD  
 Preamp

**MARSHALL**  
 JIM MARSHALL  
 PRODUCTS LTD.  
 BLETCHLEY  
 MILTON KEYNES  
 ENGLAND  
 File: 2203PRE.DGN





ISS.	DATE	DRN.
6	7-12-88	CPV
5	18-10-88	CPV
4	19-5-88	CPV

2203 STD  
Output Stage & PSU  
**MARSHALL**  
JIM MARSHALL  
PRODUCTS LTD.  
BLETCHLEY  
HILTON KEYNES  
ENGLAND